

MK-BRP2 Brushless Bearing Puller Ver.2 (for All Brushless Motors type)



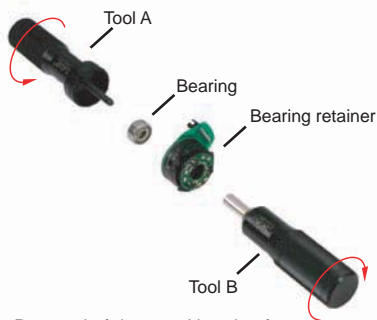
MuchMore's exclusive Brushless Motor Bearing Puller is for use with all of current popular brushless motors such as Team Orion, Speed Passion, Novak and LRP. This tool ensures that the bearing is precisely aligned when mounted and helps you remove or remount the bearing.

Removal of damaged bearing or remount new bearing for:

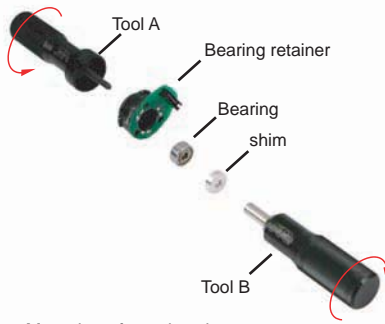
The sensor circuitry of Speed Passion motor, The motor can of LRP, Novak, Speed Passion and other BL motors.

HOW TO USE:

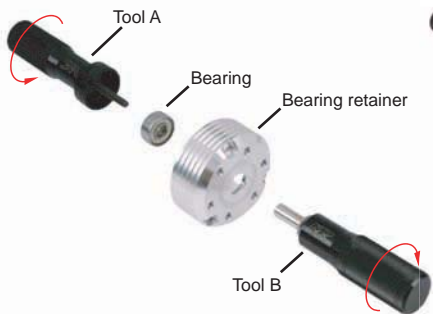
Place each part as shown to the following pictures then tighten(clockwise) Tool A and B gently. Make sure the bearing and its retainer to be aligned when you tighten the tools. After fully tightened, remove Tool A and B by turning them in counterclockwise.



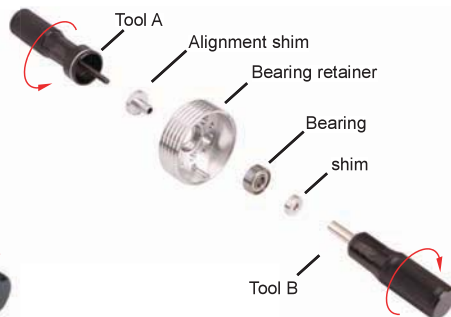
Removal of damaged bearing from the sensor circuitry of Speed Passion motor



Mounting of new bearing to the sensor circuitry of Speed Passion motor



Removal of the bearing for Novak or LRP motor.



Remount of the bearing for Novak or LRP motor. (LRP motor does not need alignment shim)